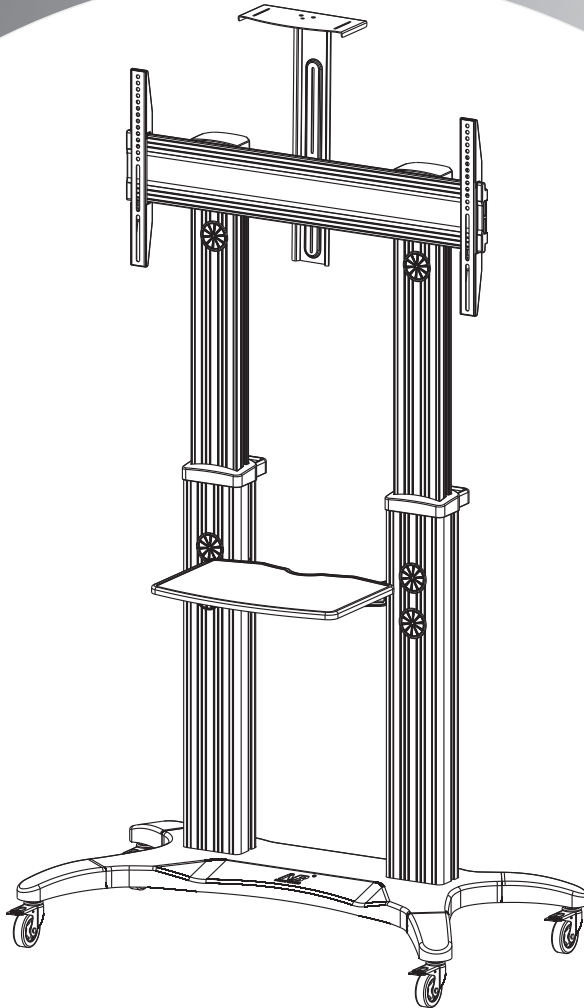


INSTALLATION INSTRUCTION



AVF1800-70-1P

Multi-functional and professional mobile stand

For TV panel: 55"-80"

Maximum load capacity: 125 lbs / 56.8 kg

AV shelf max load: 10 lbs / 4.5 kg

Video tray max load: 10 lbs / 4.5 kg

VESA:200x200-800x400mm

Kunshan Hongjie Electronics Co., Ltd

Add:58, South of Xinxing Road, Economic Development Zone.

Kunshan City, Jiangsu Province, China

TEL: 86-512-57971777

<http://www.nbvmount.com.cn>

FAX: 86-512-57970776

E-mail: info@nbvmount.com

We reserve the right to modify or alter instructions. No modification or alteration without formal notice.

Table of Contents

Table of Contents and Warning 2/16

Parts list 3/16

Assembly and Installation

1. Wheels to base installation 4/16

2. Poles installation 5/16

3. Cross bar to poles installation 6/16

4. Poles to base installation 7/16

5. Interface adaptor to poles installation 8/16

6. TV height adjustment 9/16

7. AV shelf to stand installation 10/16

8. Wires and cables routing and management 11/16

9. VESA mounting patterns 12/16

10. Selection of VESA mounting patterns 13/16

11. Mounting TV on interface 14/16

12. Video tray installation 15/16

13. TV center height and AV shelf height adjustment 16/16









★ Can fit smaller or larger TVs depending upon VESA and TV weight.

WARNING!

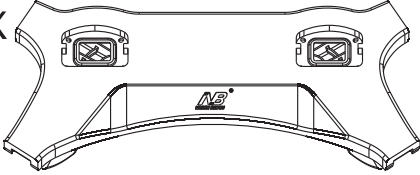
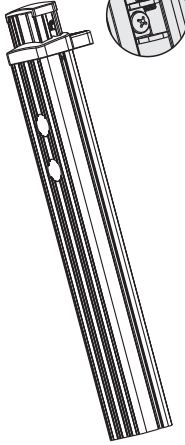
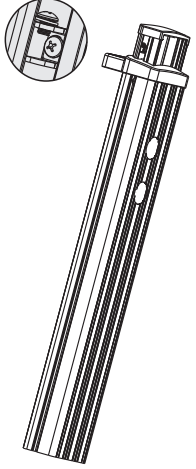




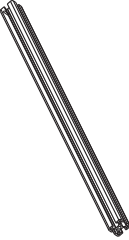
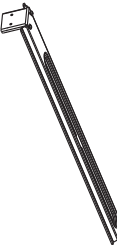
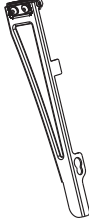
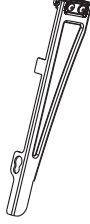
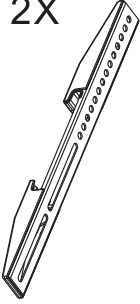










Severe personal injury and property damage can result from improper installation or assembly. Read the following warning carefully before beginning.

- If you do not understand the instructions or have any concerns or questions, please contact a qualified local installer.
 - Do not install or assemble if the product or hardware is damaged or missing, if you require replacement parts, please contact your local distributor for assistance.
 - This product fits most 55"-80" LCD/plasma screen; maximum weight of LCD/plasma screen: 125lbs/56.8kg; AV shelf max load: 10lbs/4.5kg; Video tray max load : 10lbs/4.5kg.
 - Do not use this product for anything other than the original design.
 - This product contains moving parts, please use with caution.
 - The manufacturer disclaims any liability for the modifications, improper installation, or installation over the specified weight range. The manufacturer will not be liable for any damages arising out of the use of, or inability to use, the product.
- All images are for reference, to prevail in product.

Manual

							
Tightening Direction	Loosening Direction	Phillips Screwdriver	Metre Rule	Adjustment	By Hand	Hex Wrench	+ Tightening - Loosening

Parts List

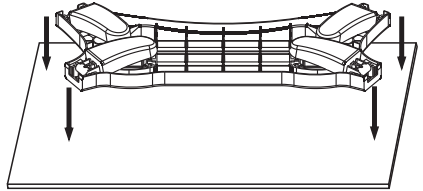
<p>1X</p> 		<p>1XL</p> 		<p>1XR</p> 	
<p>1X</p> 					
<p>1X</p> 	<p>1X</p> 				
<p>4X</p> 	<p>1X</p> 	<p>1X</p> 	<p>1XL</p> 	<p>1XR</p> 	<p>2X</p> 
<p>6X</p> 					
<p>A</p> <p>4X</p>  <p>M5×25mm</p>	<p>B</p> <p>4X</p>  <p>M6×25mm</p>	<p>C</p> <p>4X</p>  <p>M8×25mm</p>	<p>D</p> <p>4X</p>  <p>Φ16×Φ6.2×1.5mm</p>	<p>E</p> <p>4X</p>  <p>Φ19×8.5×H13mm</p>	
<p>F</p> <p>8X</p>  <p>M8×35mm</p>	<p>G</p> <p>1X</p>  <p>M5</p>	<p>H</p> <p>4X</p>  <p>M6×20mm</p>	<p>I</p> <p>2X</p>  <p>M6×20mm</p>		

1. Wheels to base installation

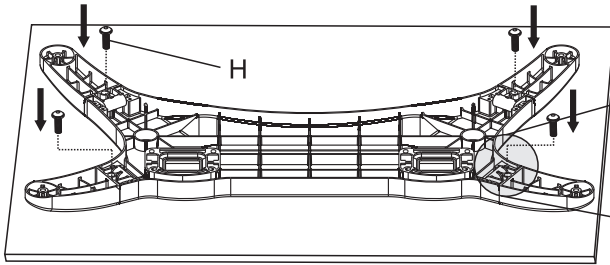
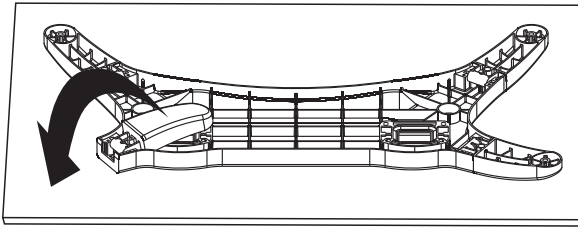
Step 1:
Take sheet foam from box and lay it on floor.



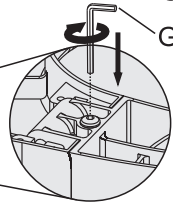
Step 2:
Put base upside down on sheet foam.



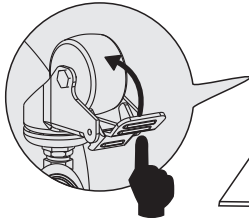
Step 3



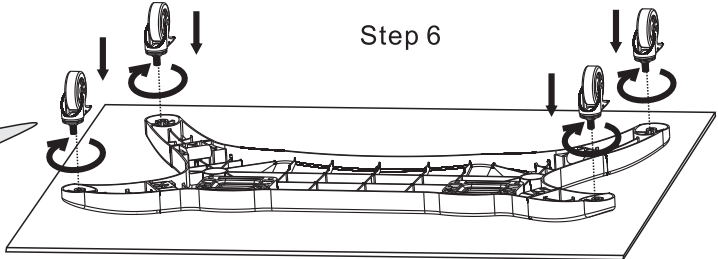
Step 4



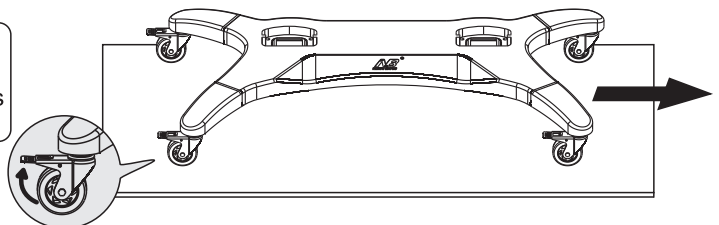
Step 5



Step 6

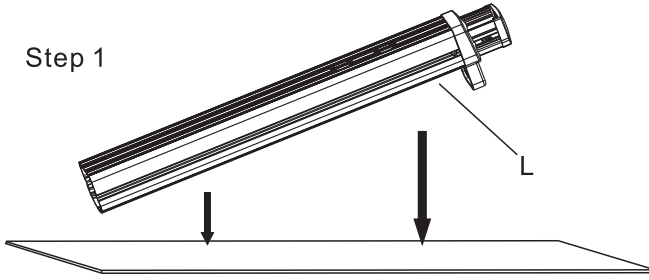


Step 7:
Over turn base back to normal, release wheels lock and push aside.

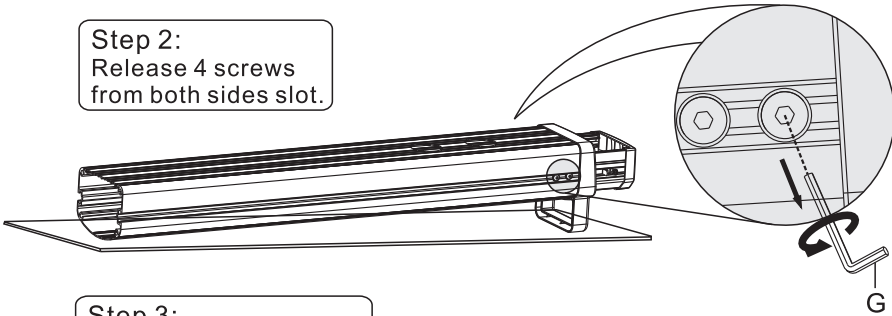


2.Poles installation

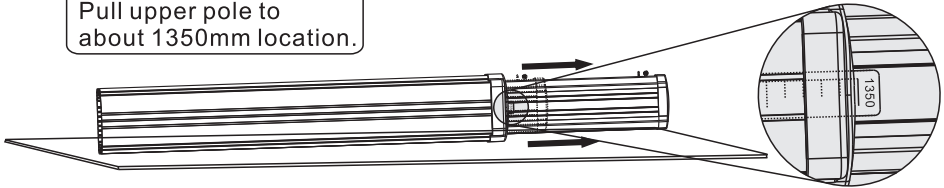
Step 1



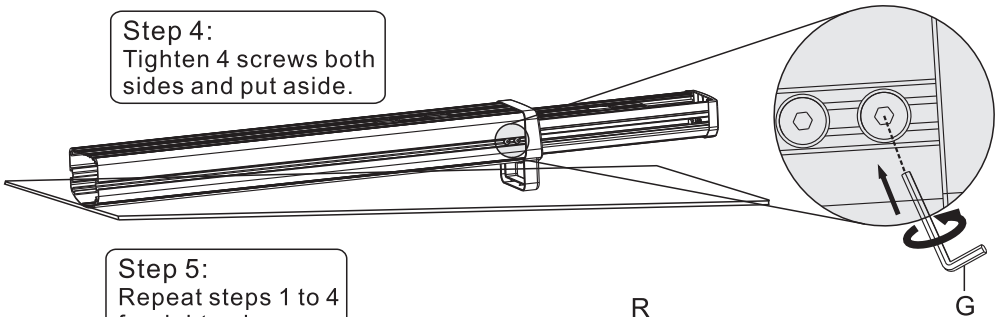
Step 2:
Release 4 screws
from both sides slot.



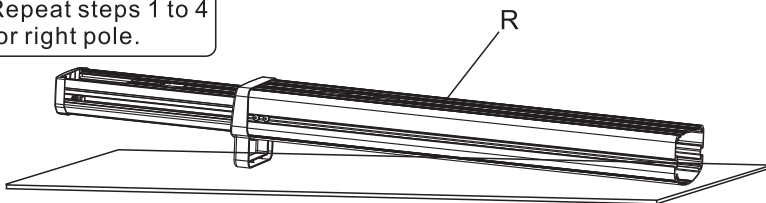
Step 3:
Pull upper pole to
about 1350mm location.



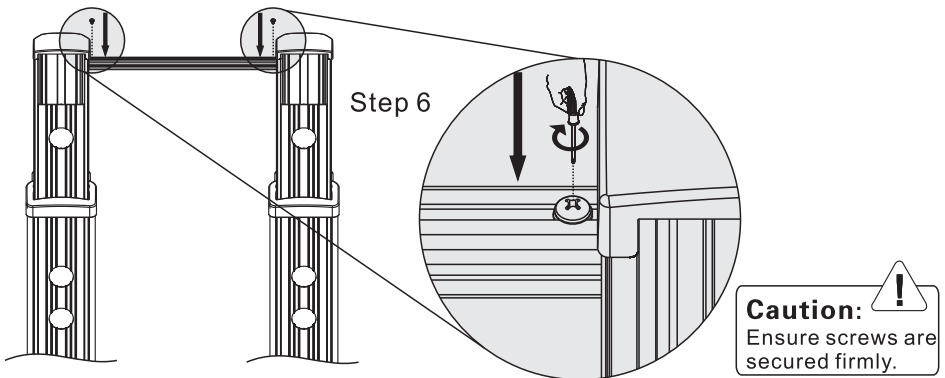
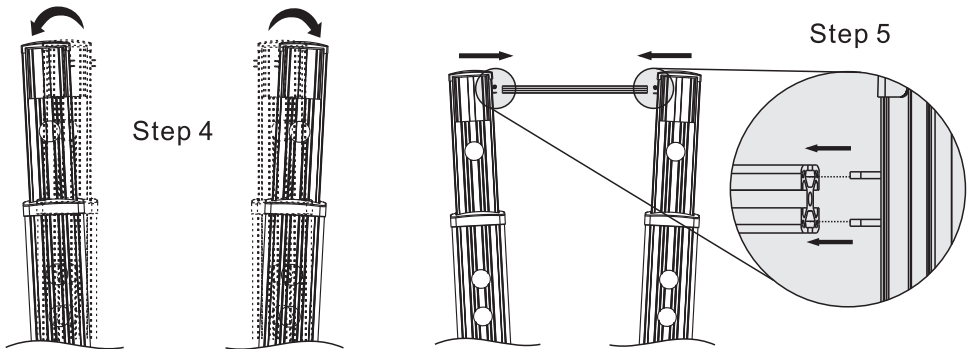
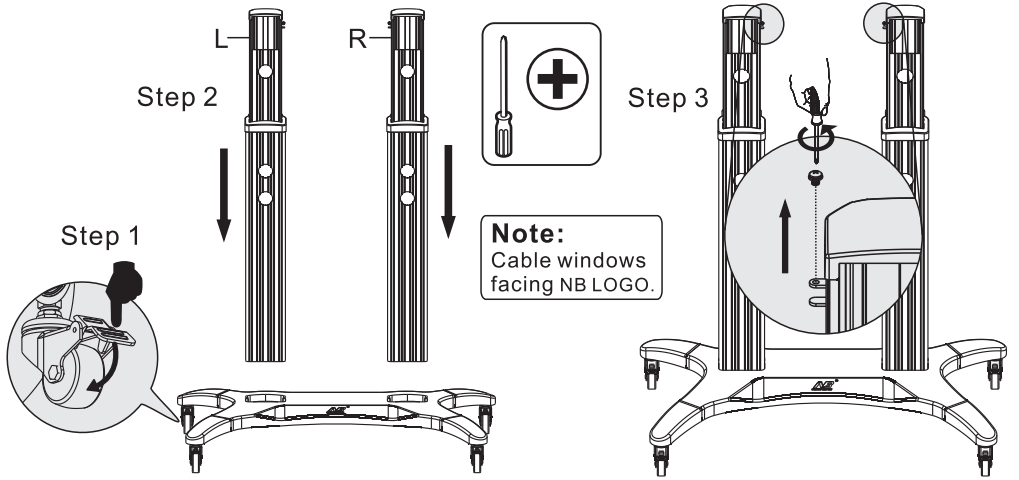
Step 4:
Tighten 4 screws both
sides and put aside.



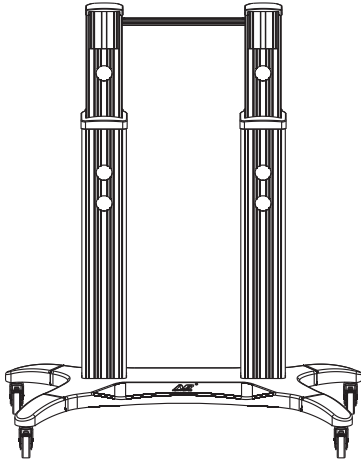
Step 5:
Repeat steps 1 to 4
for right pole.



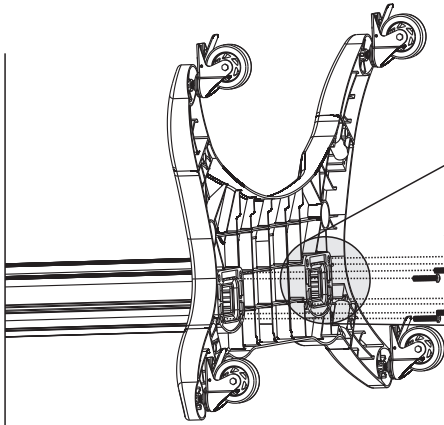
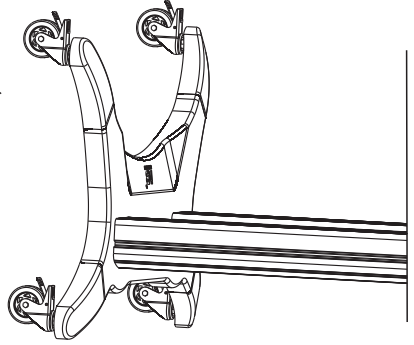
3. Cross bar to poles installation



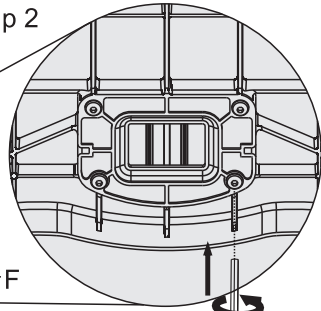
4. Poles to base installation



Step 1



Step 2

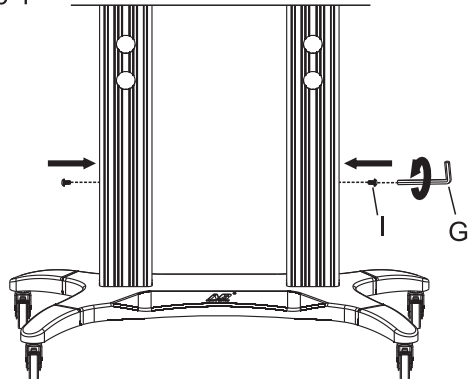
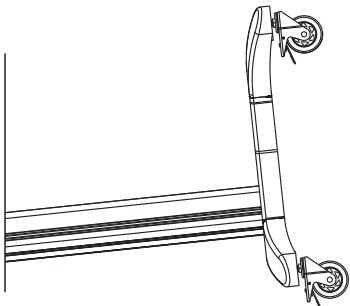


Caution:  Ensure screws are secured firmly.

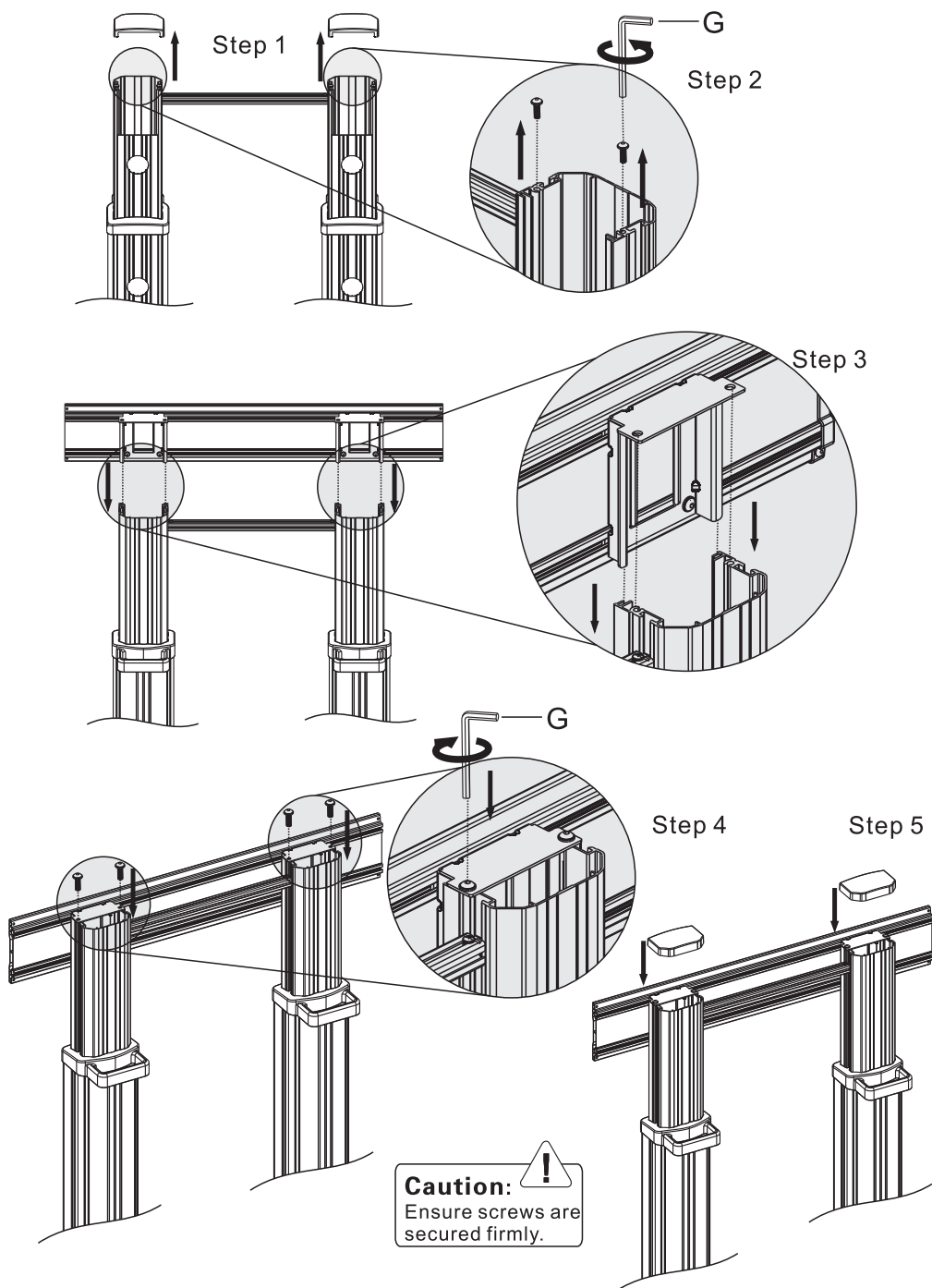
G

Step 3

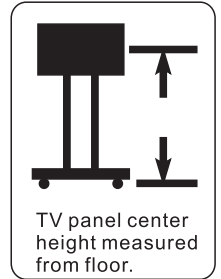
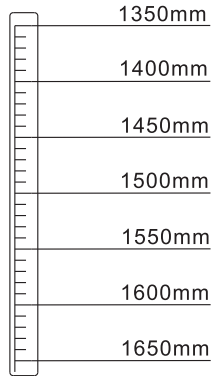
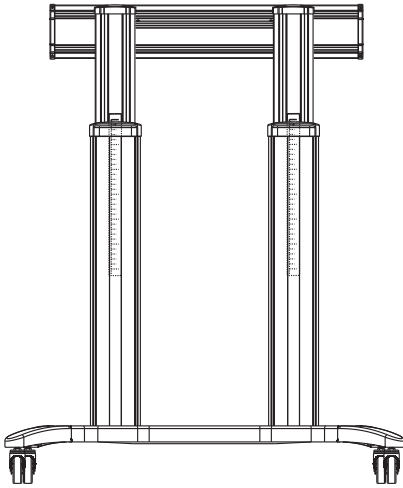
Step 4



5. Interface adaptor to poles installation



6. TV height adjustment

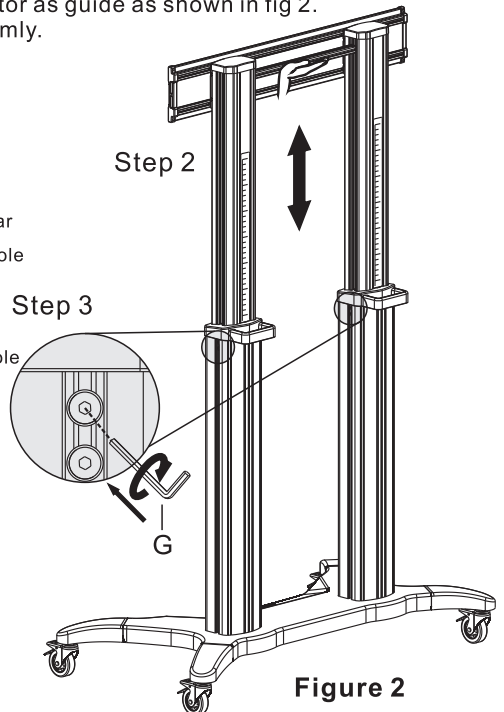
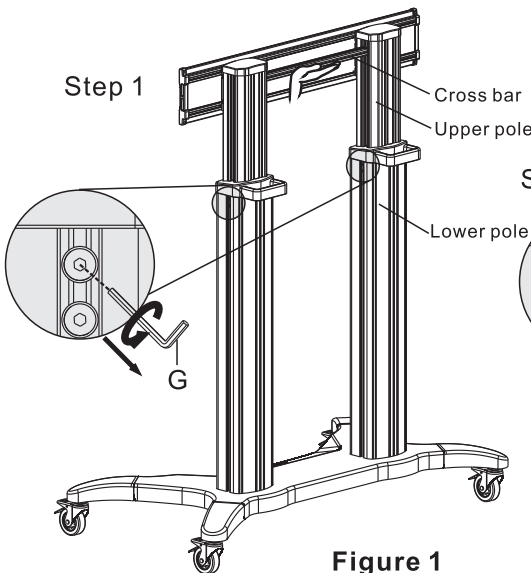


Caution: Need 2 men to adjust TV height ! (TV adaptor)

Step1. 1 man holds onto the TV adaptor, another release 8 screws from 2 poles as shown in fig 1.

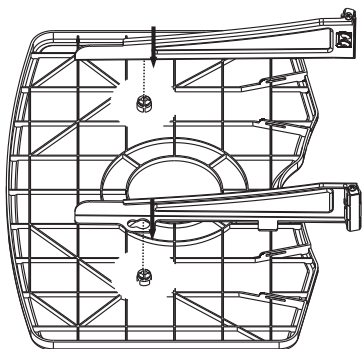
Step2. To set TV height, simply slide poles assembly up or down to your desire height using height indicator as guide as shown in fig 2.

Step3. Tighten and secured 8 screws firmly.

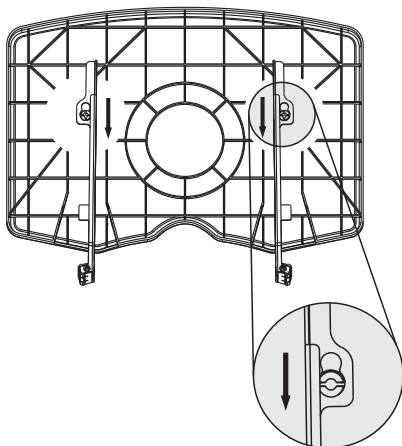


7. AV shelf to stand installation

Step 1

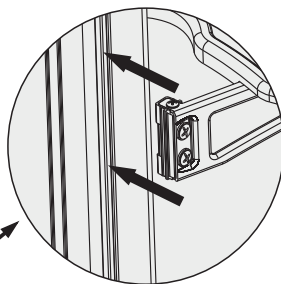


Step 2

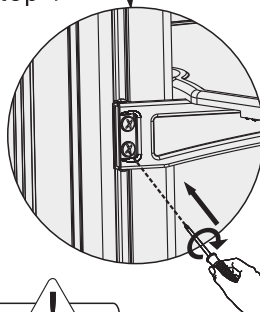



Step 3

Note:
Insert into slots.

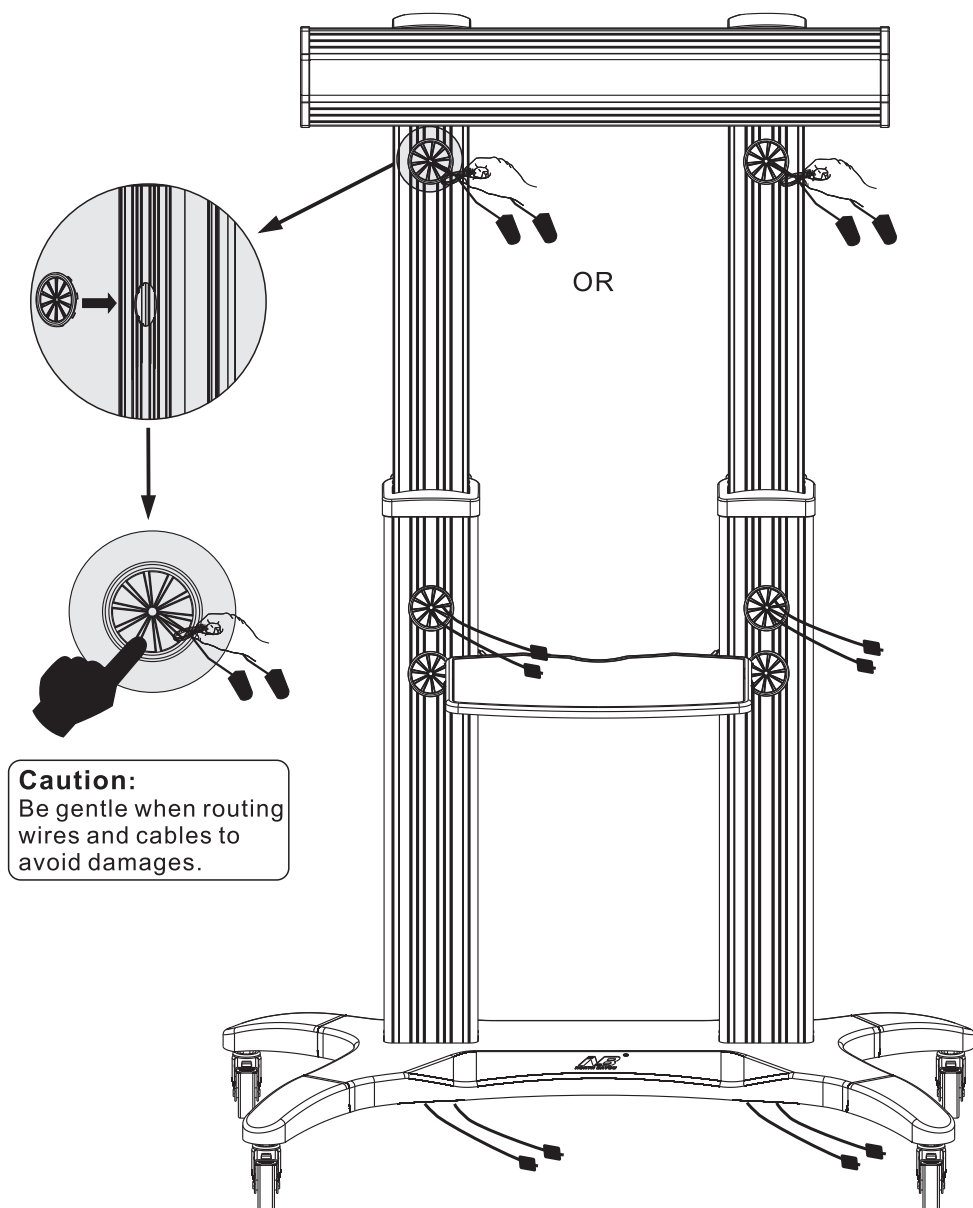


Step 4



Caution: 
Ensure screws are
tighten and gripped
firmly.

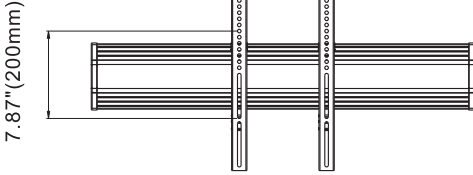
8. Wires and cables routing and management



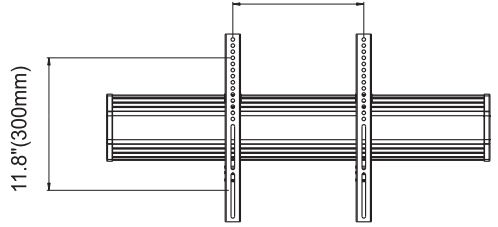
9. VESA mounting patterns

VESA: 200x200~800x400mm

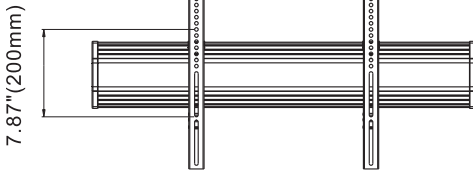
7.87"(200mm)



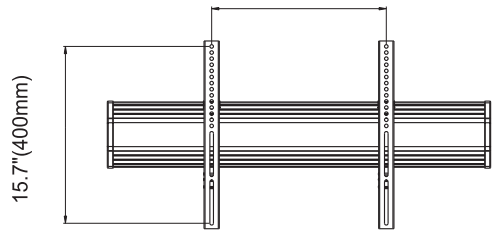
11.8"(300mm)



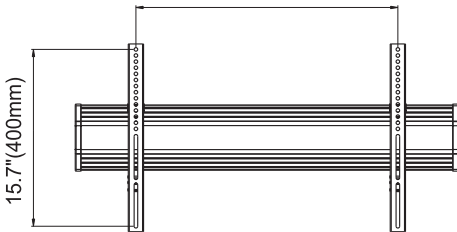
15.7"(400mm)



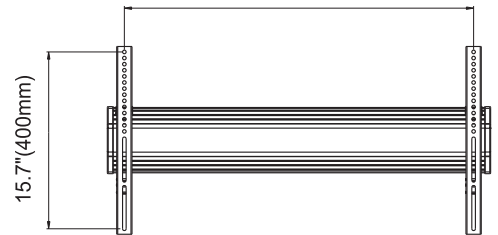
15.7"(400mm)



23.6"(600mm)

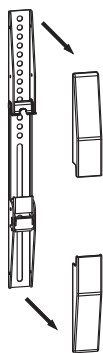


31.4"(800mm)

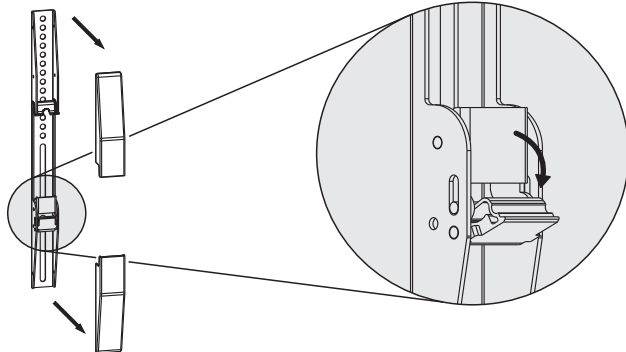


10. Selection of VESA mounting patterns

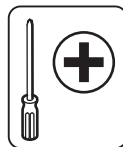
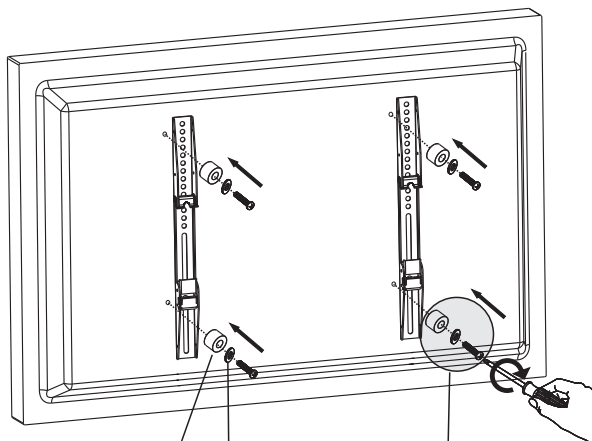
Step 1



Step 2



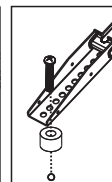
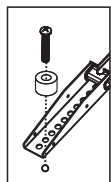
Step 3



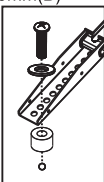
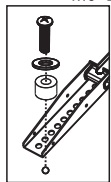
E D (A,B)+E+D / C+E

Note:
To avoid damaging to TV,
plastic spacers must be used
when depth of mounting holes
is at minimal.

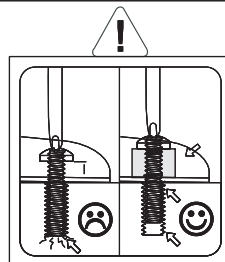
M8×25mm(C)



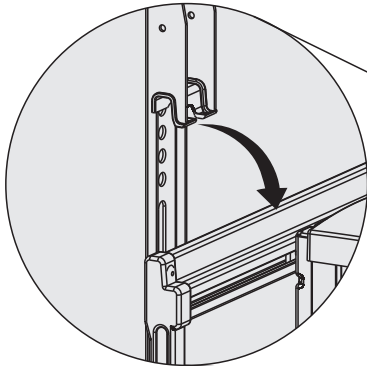
M5×25mm(A)
M6×25mm(B)



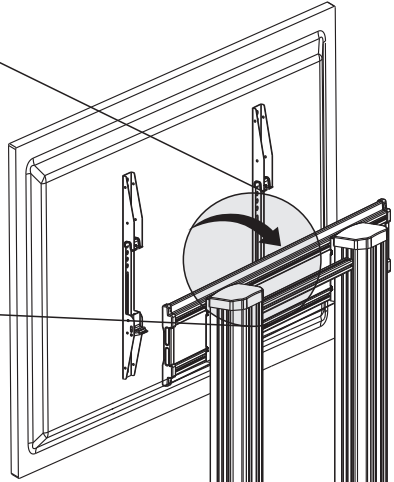
Safety advise



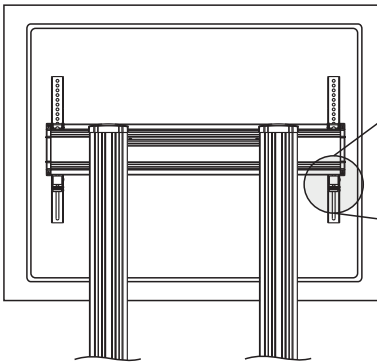
11. Mounting TV on interface



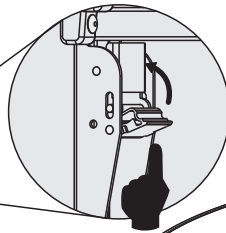
Step 1



Step 2:
Position TV to center.

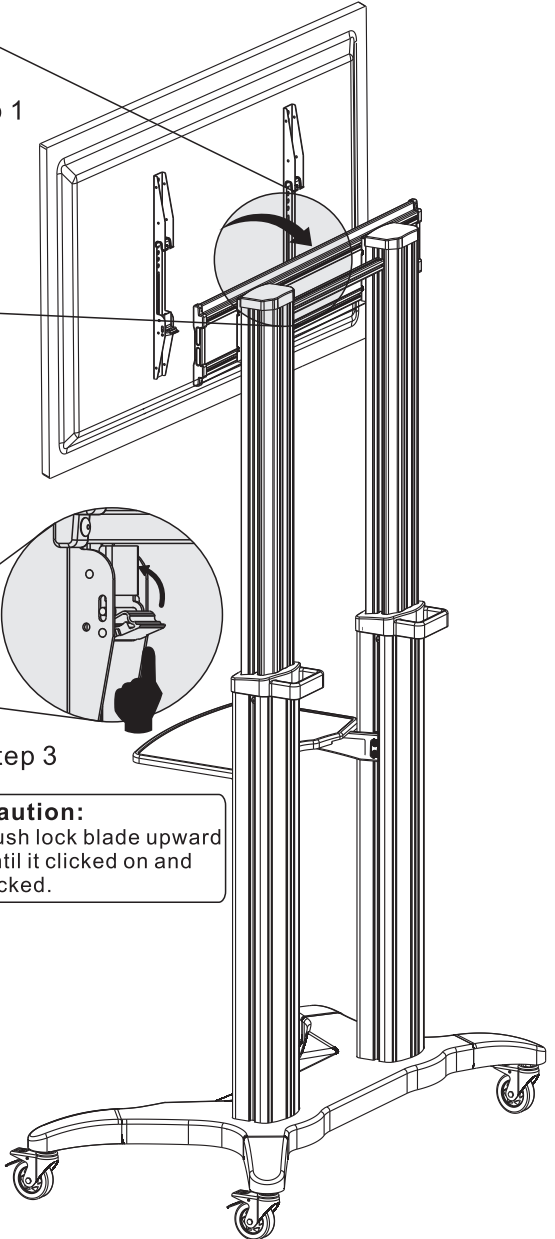
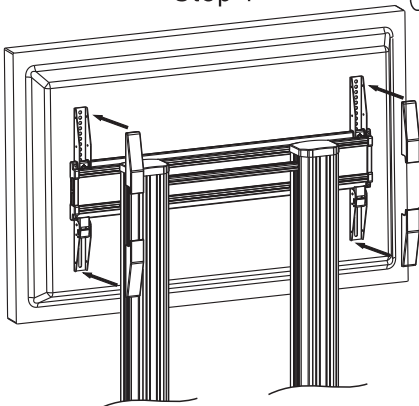


Step 4



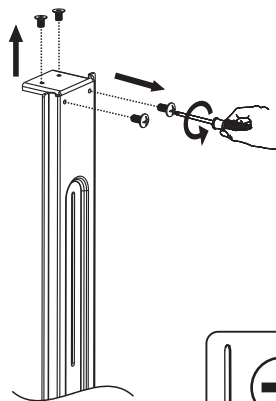
Step 3

Caution:
Push lock blade upward
until it clicked on and
locked.

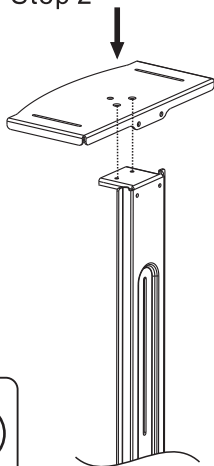


12. Video tray installation

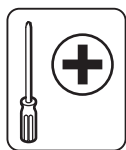
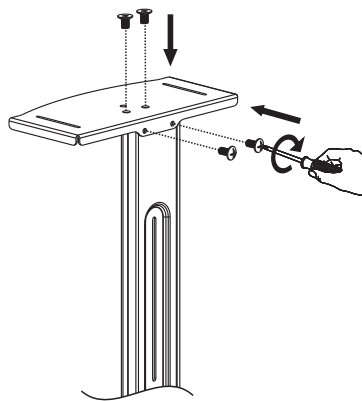
Step 1



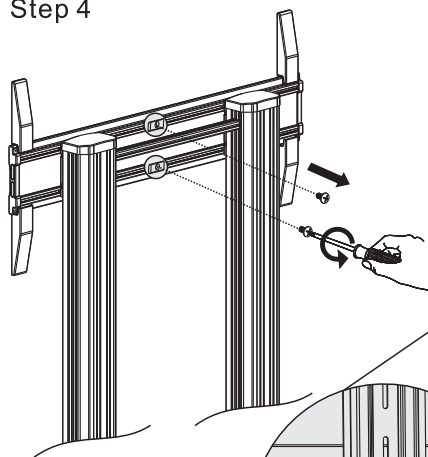
Step 2



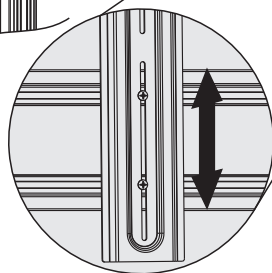
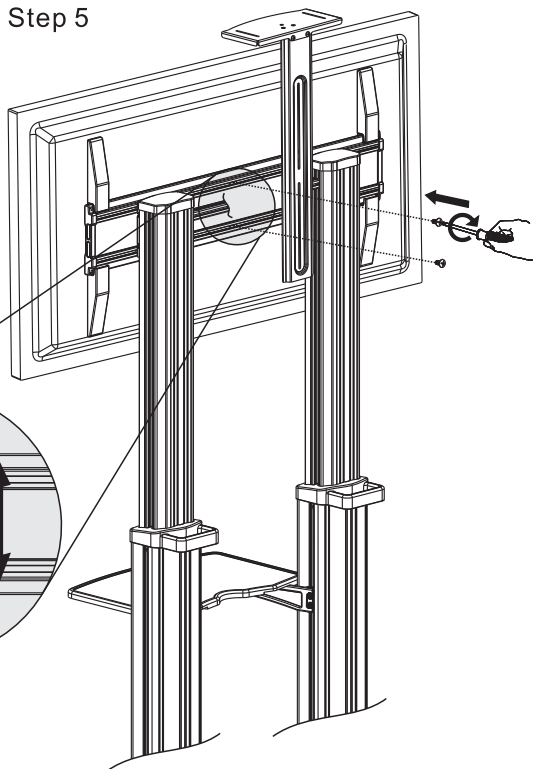
Step 3



Step 4



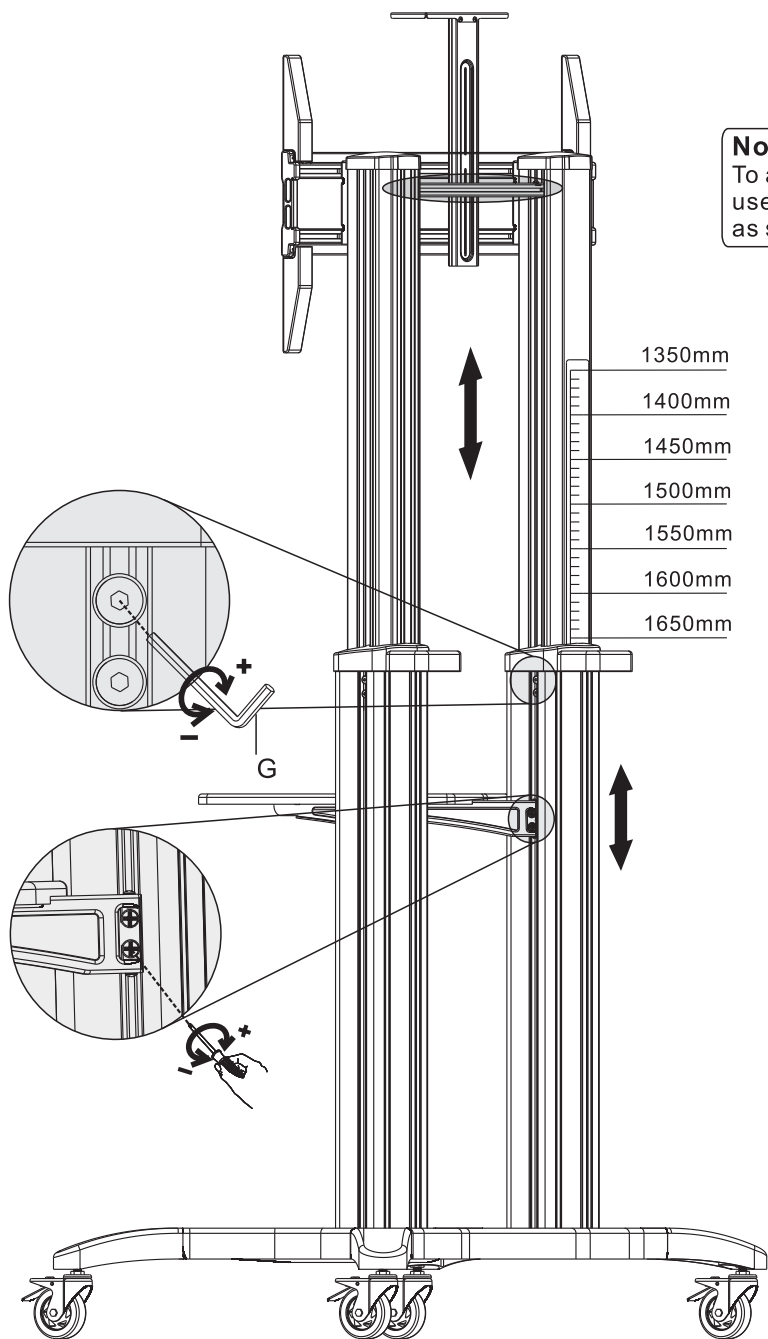
Step 5



Caution:

Ensure screws are secured firmly.

13. TV center height and AV shelf height adjustment



Note:
To adjust tv height
use cross bar acts
as support.

