

2/3 Megapixel H.265 Speed Dome Network Camera

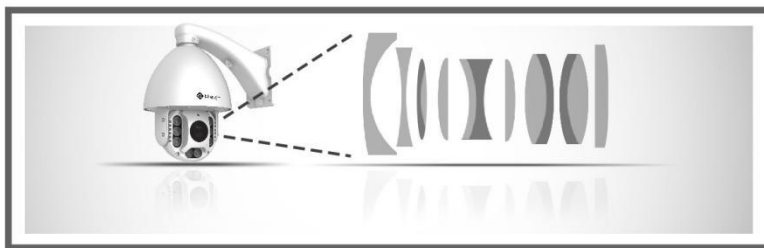

IP66
MS-C2942-(R)B/MS-C3742-B
DATASHEET

KEY FEATURES

- ▶ H. 265 (50% reduction in bandwidth, storage and bit rate compared with H.264.)
- ▶ 140dB Super WDR (Excellent performance even when the ratio of the luminosity of brightest and darkest is up to 140dB.)
- ▶ IR Distance up to 120m (Enabling 120 meters distinct images at night with IR LEDs.)
- ▶ 255 Preset Points (The user can easily control the lens position via mouse to monitor interested area and set up to 255 preset positions for patrolling.)

0.002Lux Ultra Low-light

The starlight camera is able to deliver high detailed color images even in low light environment reaching 0.002Lux(Color) or 0Lux(B/W), and near infrared light environments without any supplementary lighting.

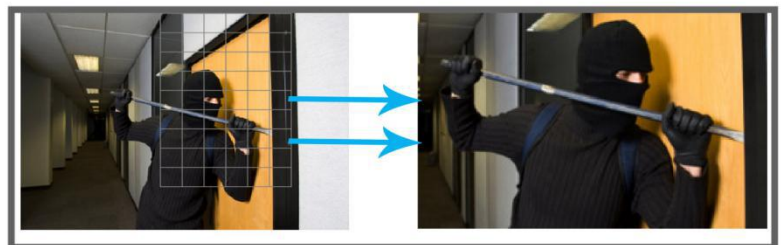


30x AF Lens

The 30x AF lens can zoom up to distant subjects while still maintaining the clarity, delivering high quality video over the entire zoom range.

Smart PTZ Motion Detection

The smart PTZ motion detection function enables the user to monitor specified area clearly in a timely manner. When there is motion detected in a target area, Milesight Speed Dome Camera will pan and tilt to the position of motion detected area automatically. Then zoom in to provide clear image for a duration of time. If the motion is no longer detectable or the duration expires, the camera will resume its previous monitoring position and zoom level.



360° Endless Pan, 0°~90° Auto Flip Tilt

With a sophisticated pan/tilt mechanism, Milesight Speed Dome Network Camera provides fast, precise movement with endless 360-degree pan and 90-degree tilt. The user can easily control the lens position via mouse to monitor area of interest and set up to 255 preset positions for patrolling. There are up to 8 patrol routes and maximum 4 patterns of the manual operation paths (for Pan, Tilt, Zoom and Focus) which can be set as required. Moreover, the user is able to schedule specific PTZ tasks by date and time.

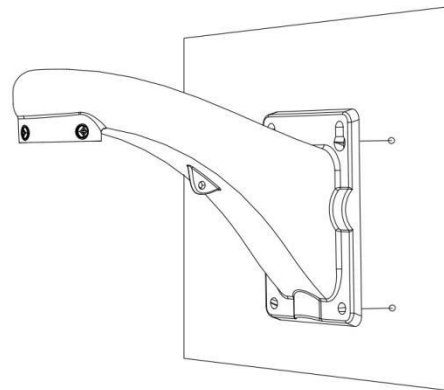
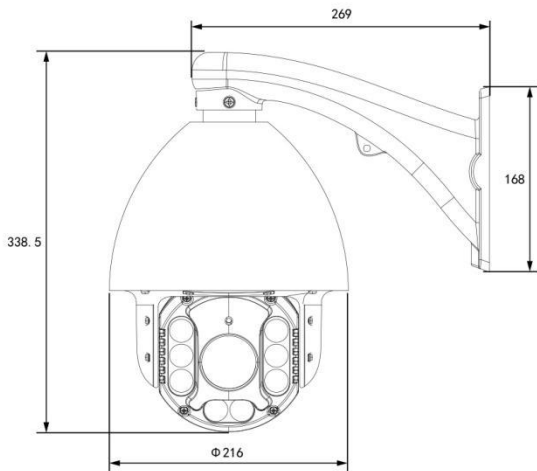
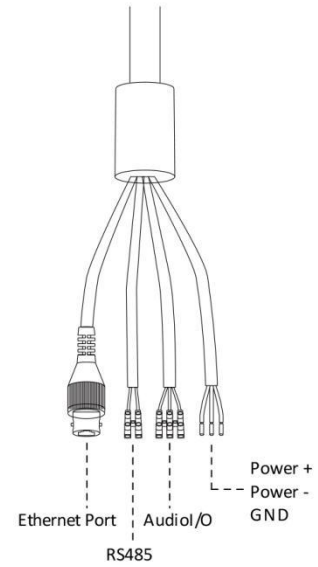
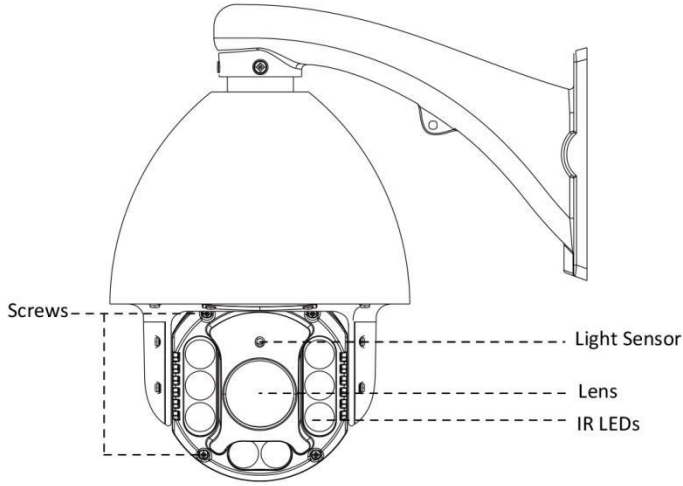


	Model	MS-C2942-(R)B(2MP)	MS-C3742-B(3MP)
Camera	Image Sensor	1/2.8" Progressive Scan CMOS	1/2.8" Progressive Scan CMOS
	Min. Illumination	Color: 0.002Lux@F1.2 B/W: 0Lux with IR on	Color: 0.005Lux@F1.2 B/W: 0Lux with IR on
	WDR	Super WDR up to 140dB	Super WDR up to 120dB
	Shutter Time	1/100000s~1/5s	
	Day&Night	ICR Filter Auto Switch	
Lens	Auto Focus	Auto/Semi-automatic/Manual	
	Focal Length	4.3~129mm, 30x AF Lens	
	Zoom Speed	Approx 4s (Optical Wide-Tele)	
	Field of View	H61.4°~H3.08°(Wide-Tele)	H58.0°~H2.76°(Wide-Tele)
	Minimum Working Distance	10~1500mm (Wide-Tele)	
Aperture	F1.6~F5.0		
PTZ	Pan Range	360°endless	
	Pan Speed	Pan Manual Speed: 0.5°~180°/s, Pan Preset Speed: 240°/s	
	Tilt Range	0°~90°(Auto Flip)	
	Tilt Speed	Tilt Manual Speed: 0.5°~120°/s, Tilt Preset Speed: 200°/s	
	Proportional Zoom	Support	
	Preset Quantity	255	
	Patrol	8 Patrols, up to 48 presets each patrol	
	Pattern	4 Patterns	
	Power Loss Recovery	Support	
IR	PTZ Position Display	ON/OFF	
	3D positioning	Support	
IR	IR Distance	120m	
	IR Angle	Auto/Manual	
Video	Max. Image Resolution	1920×1080	2048×1536
	Primary Stream	30fps@(1920×1080, 1280×960, 1280×720, 704×576) (60fps available for -R series)	30fps@(2048×1536, 1920×1080, 1280×960, 1280×720, 704×576)
	Secondary Stream	30fps@(704×576, 640×480, 640×360, 352×288, 320×240, 320×192, 320×176)	
	Tertiary Stream	30fps@(1920×1080, 1280×720, 704×576, 640×480, 640×360, 320×240, 320×192, 320×176)	
	Video Compression	H.265(HEVC)/H.264/MJPEG	
	Video Bit Rate	16Kbps~16Mbps(CBR/VBR Adjustable)	
	Image Setting	Brightness/Contrast/Saturation/Sharpness	
Network	Ethernet	1*RJ45 10M/100M Ethernet Port	
	Network Storage	NAS(Support NFS, SMB/CIFS)	
	Protocol	IPv4/IPv6, TCP, UDP, RTP, RTSP, RTCP, HTTP, HTTPS, DNS, DDNS, DHCP, FTP, NTP, SMTP, SNMP, UPnP, SIP, PPPoE, VLAN	
Audio	Audio Compression	G.711/AAC	
System	Storage	Support microSD/SDHC/SDXC Local Storage, up to 128G	
	Advanced Function	Motion Detection, Privacy Masking, Backlight Compensation, HLC, 3D-DNR, ROI	
	SIP/VoIP Support	Yes, Voice & Video-over-IP	
	Event Trigger	Motion Detection, Network Disconnection, Audio Alarm, etc.	
	Event Action	FTP Upload/ SMTP Upload/ SD Card Record/ SIP Phone	
	System Compatibility	ONVIF Profile S	
General	Working Temperature	-30°C~60°C	
	Working Humidity	0~90%(Non-condensing)	
	Power Supply	AC 24V/3A ±10%	
	Power Consumption	35W MAX	
	Weather Proof	Up to IP66-rated for Weather-resistant Performance	
	Weight	6Kg	
	Dimensions	Φ216*278mm	
Warranty	2 Years		

H.265 Speed Dome Network Camera



Structure Diagrams



Units: mm

Naming Convention



Milesight Technology Co.,Ltd. | www.milesight.com

HEADQUARTERS
Add: No.23 Wanghai Road, 2nd Software Park, Xiamen, China
Tel: +86-592-5922772 Mail: sales@milesight.com

MILESIGHT USA
Add: 7509 N.W. 36th Street, Miami, Florida 33166, USA
Tel: +1-305-764-3474 Mail: sales@milesightusa.com

